

NEW A/C COMPRESSOR ASSEMBLY/DISASSEMBLY PROCEDURES

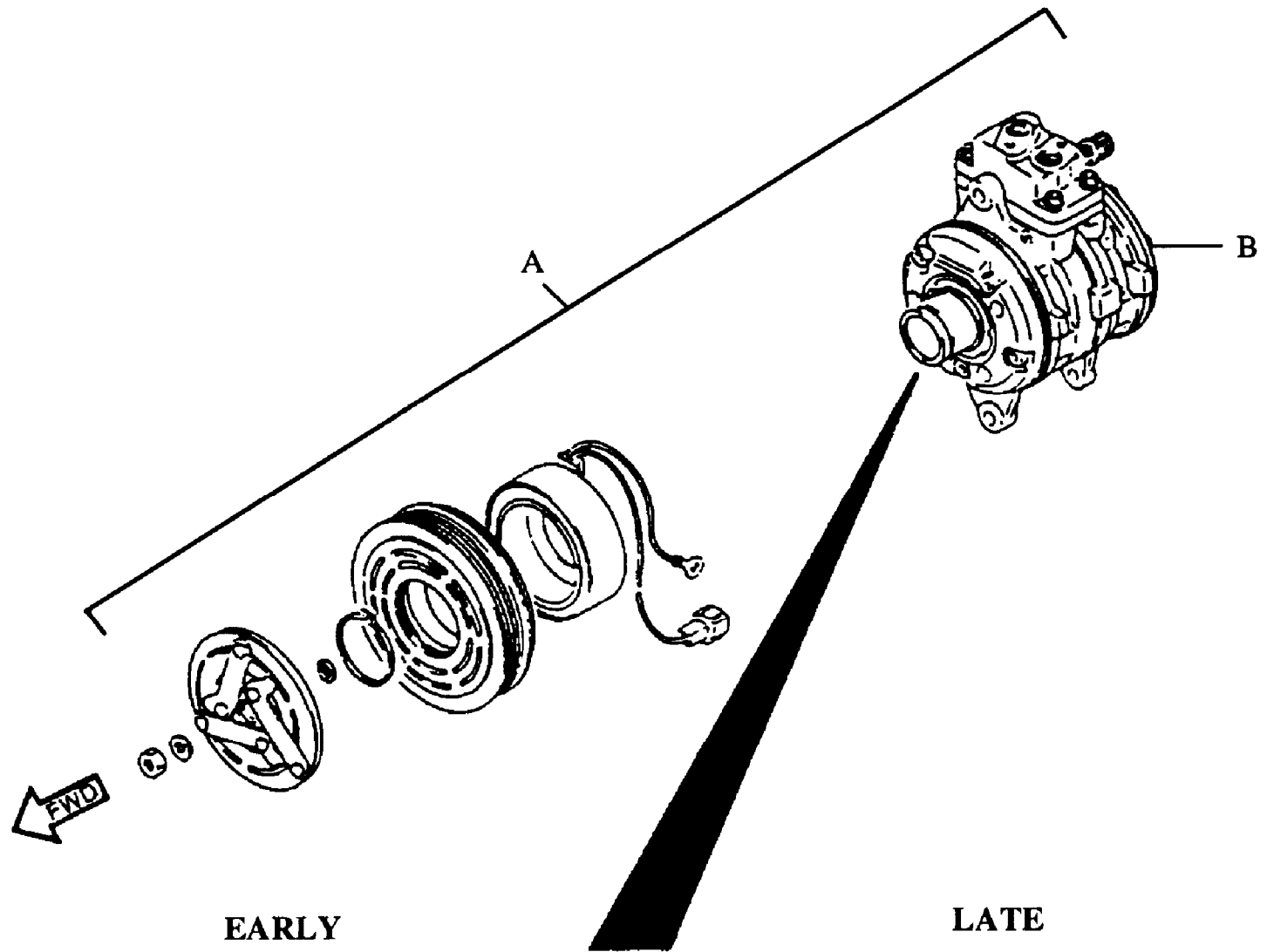
Fig. 2: Modified Compressor & Magnetic Clutch

1992 Suzuki Swift

For Xeon

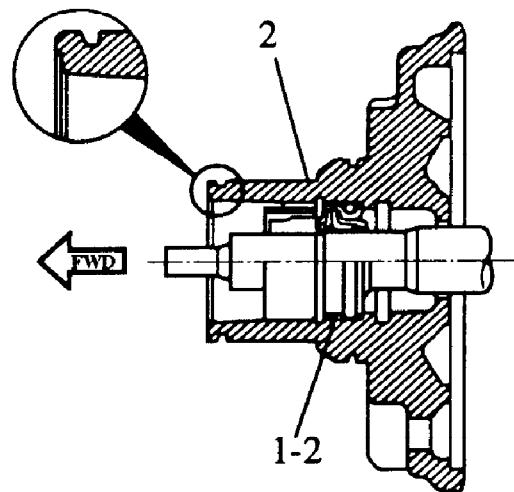
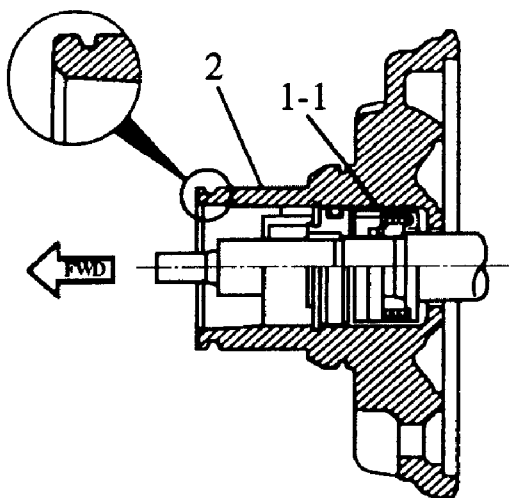
Copyright © 1998 Mitchell Repair Information Company, LLC

Tuesday, December 02, 2003 06:55PM



EARLY

LATE



93G51926